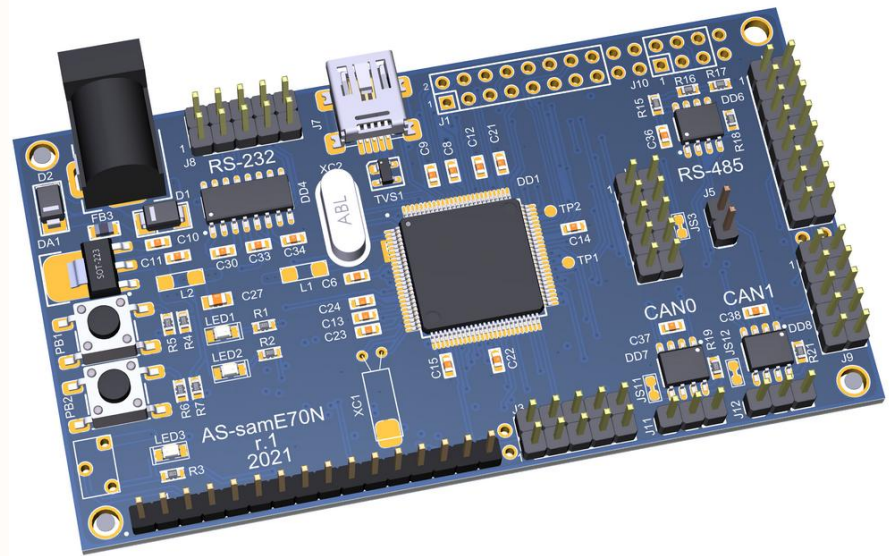
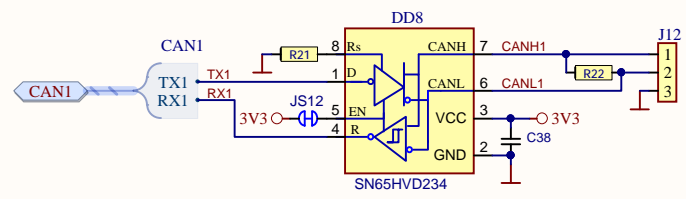
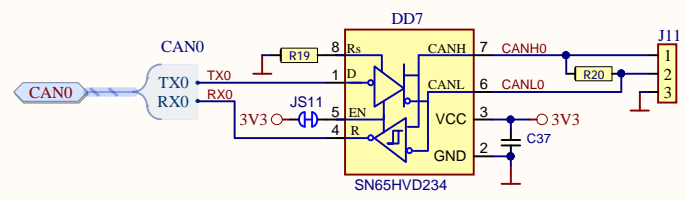
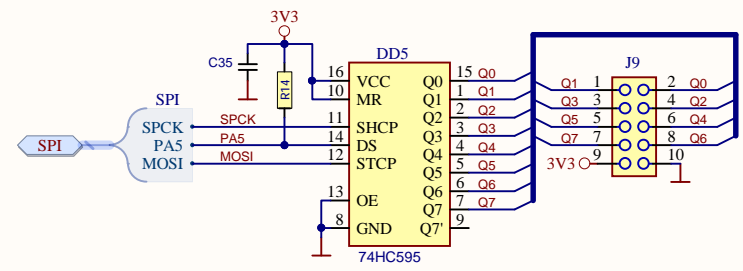
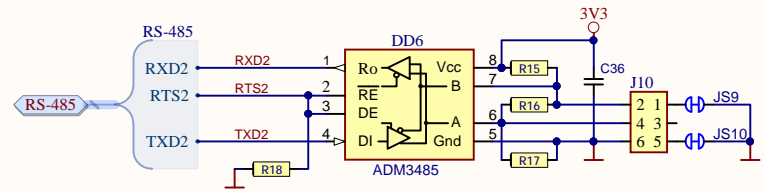
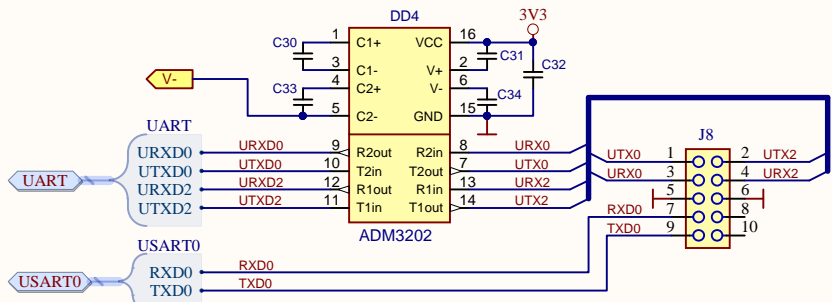


SAM-BA uses UART0 (PA9, PA10) for boot
 LED3 uses to add -1.5V for LCD contrast

Title AS-same70N CPU			
Size: A4	https://www.as-kit.ru	Revision: 1	
Date: 30.07.2021	Time: 10:00	Sheet 1 of 2	
File: AS-same70N CPU.SchDoc			



Title		AS-same70N Ports		
Size:	A4	https://www.as-kit.ru	Revision: 1	
Date:	30.07.2021	Time: 10:00	Sheet 2 of 2	
File: AS-same70N Ports.SchDoc				