

A

A

B

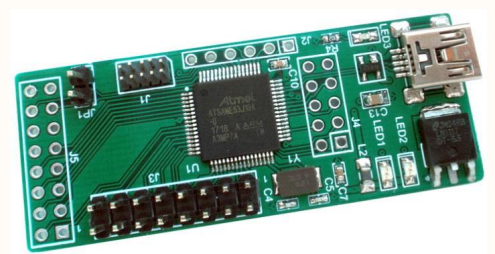
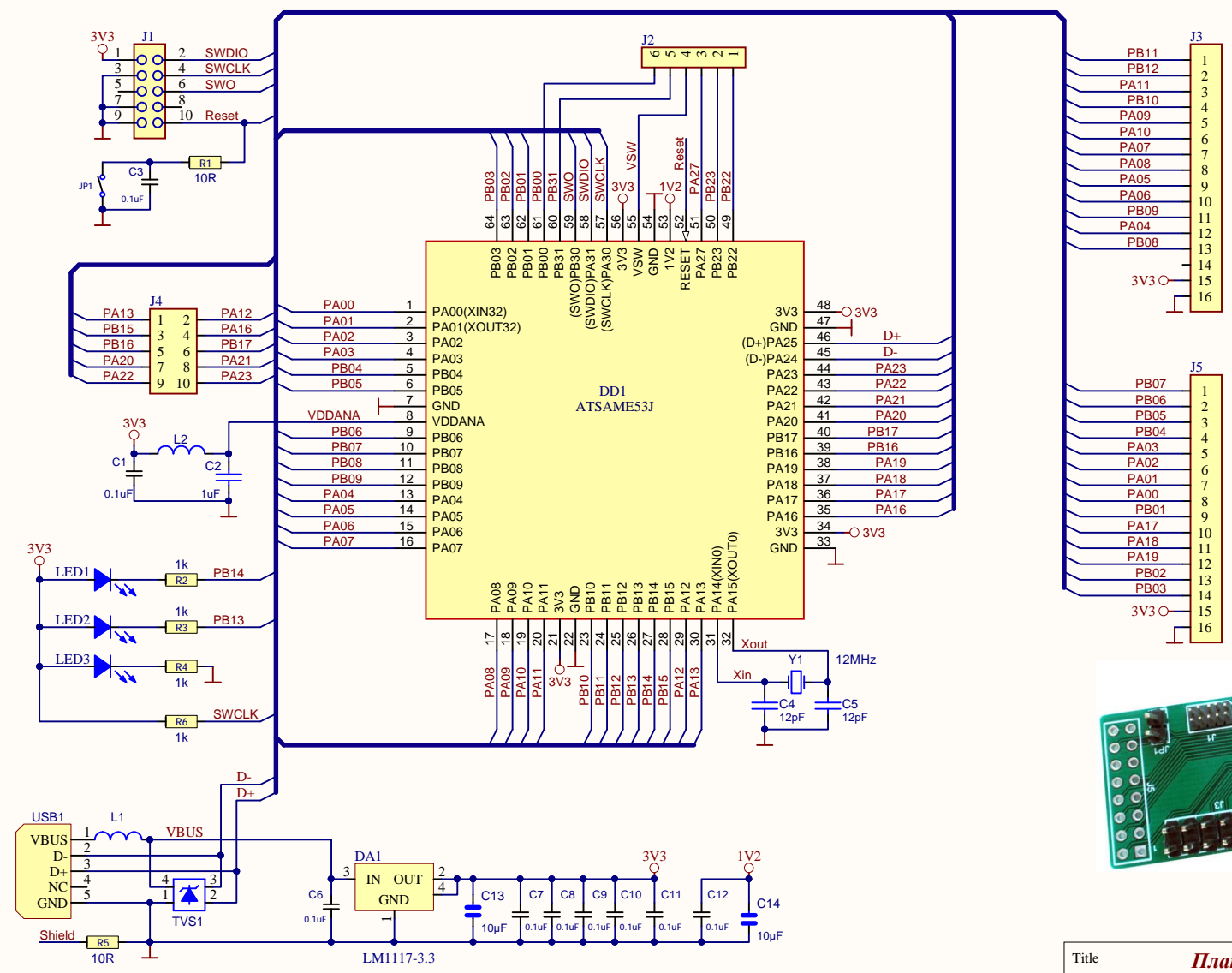
B

C

C

D

D



|       |                  |   |              |  |
|-------|------------------|---|--------------|--|
| Title |                  | <b>Плата AS-same53</b>                                    |              |  |
| Size: | A4               | <a href="https://www.as-kit.ru">https://www.as-kit.ru</a> | Revision: 1  |  |
| Date: | 08.02.2020       | Time: 10:00   | Sheet 1 of 1 |  |
| File: | AS-same53.SchDoc |   |              |  |